

Lock handle replacement

Installation manual - for Mountain Top Roll

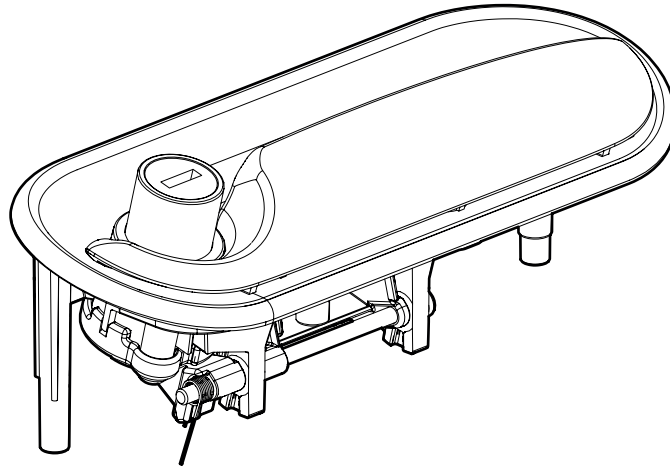


DOWNLOAD PDF



Parts

A

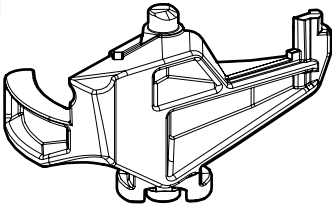


x 1



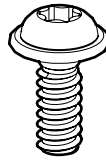
Kit

B



x 1

C



x 4

D



x 2



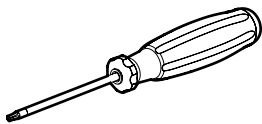
Manual(s)



x 1

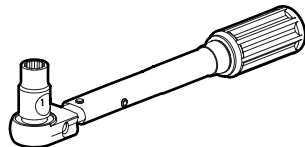


Tools and materials needed

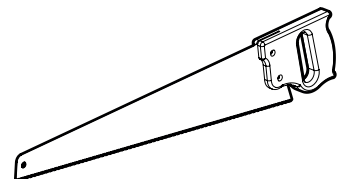
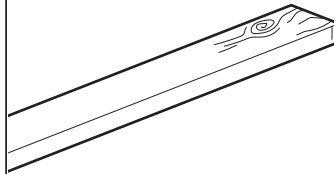


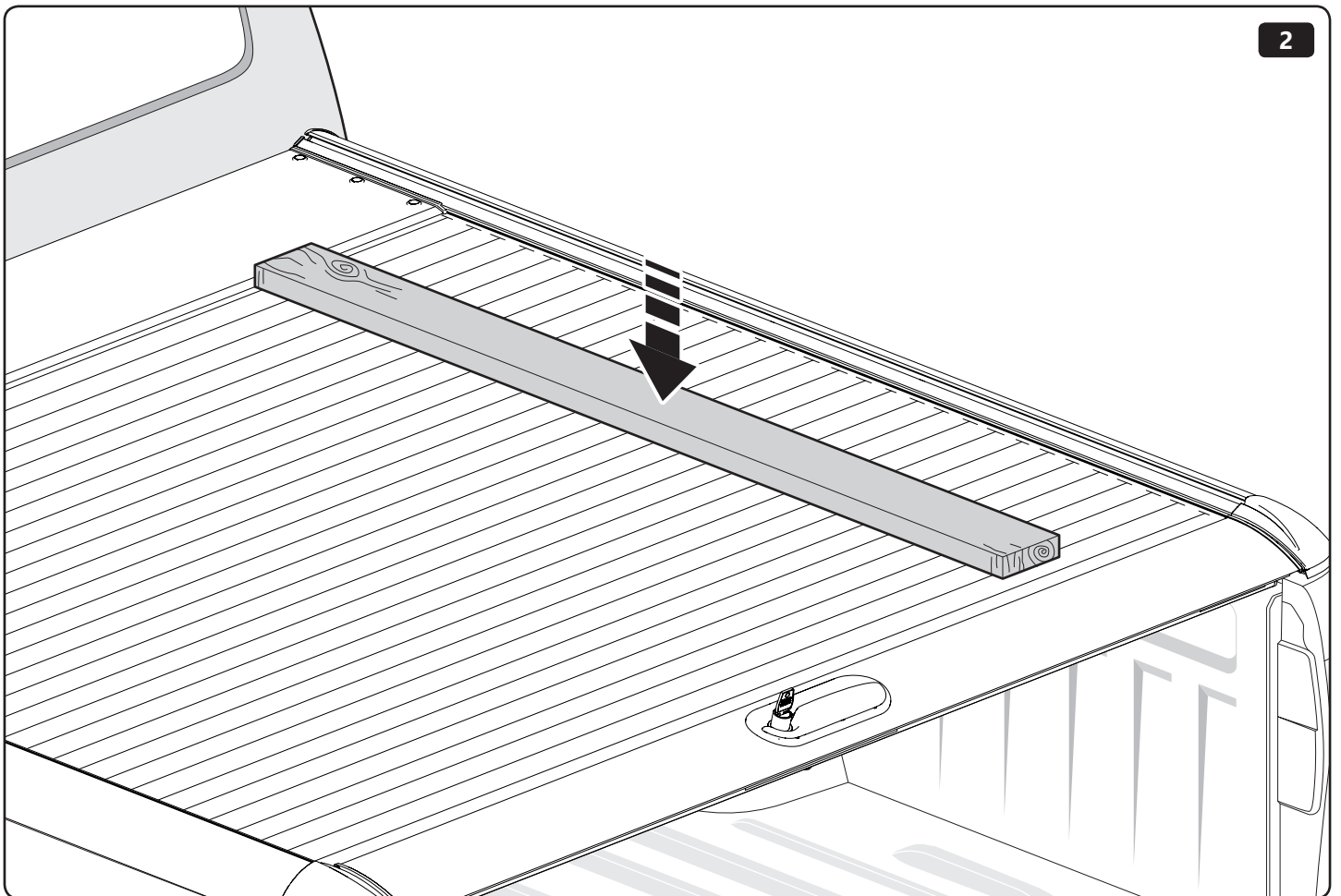
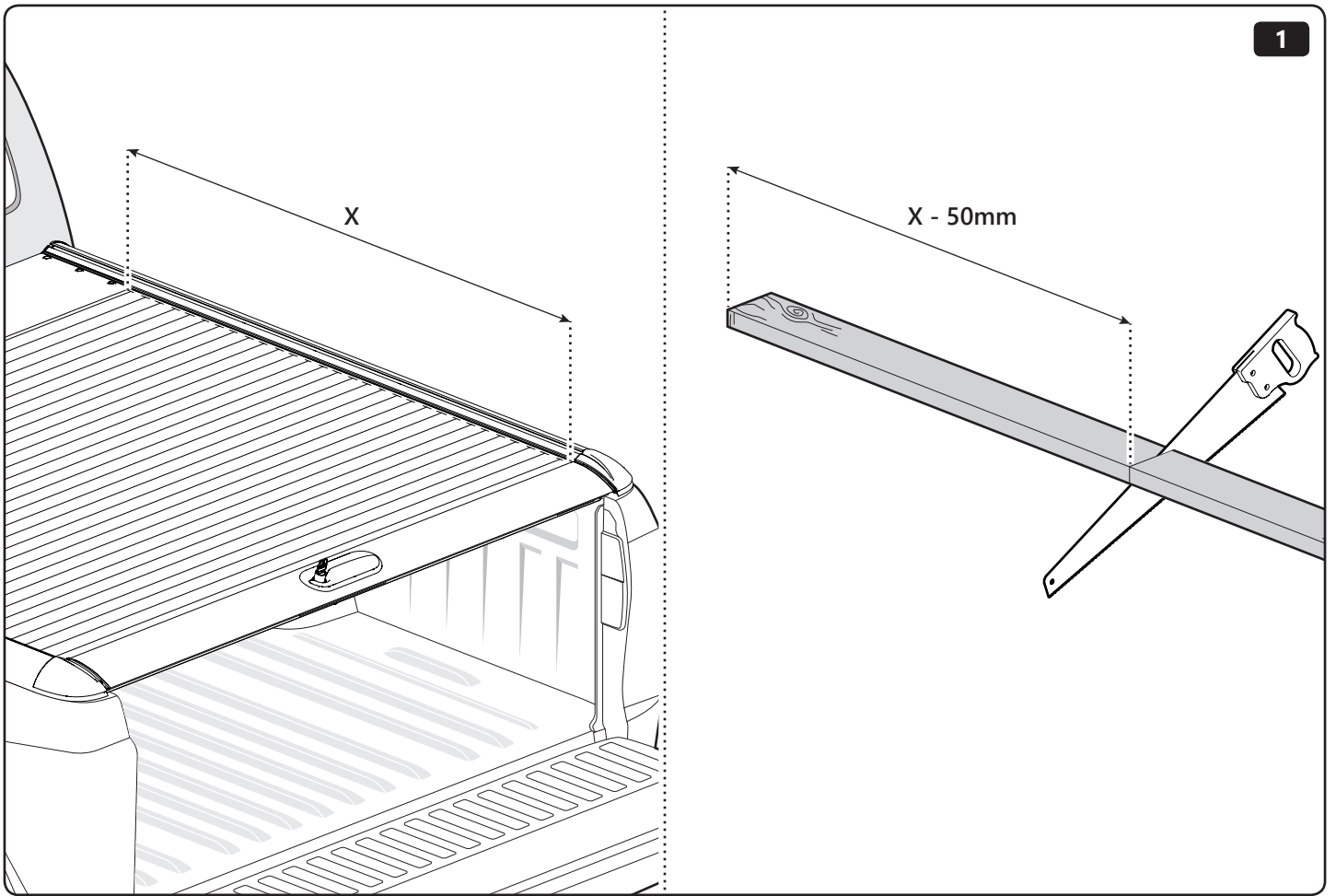
★ T10

1 - 25 Nm

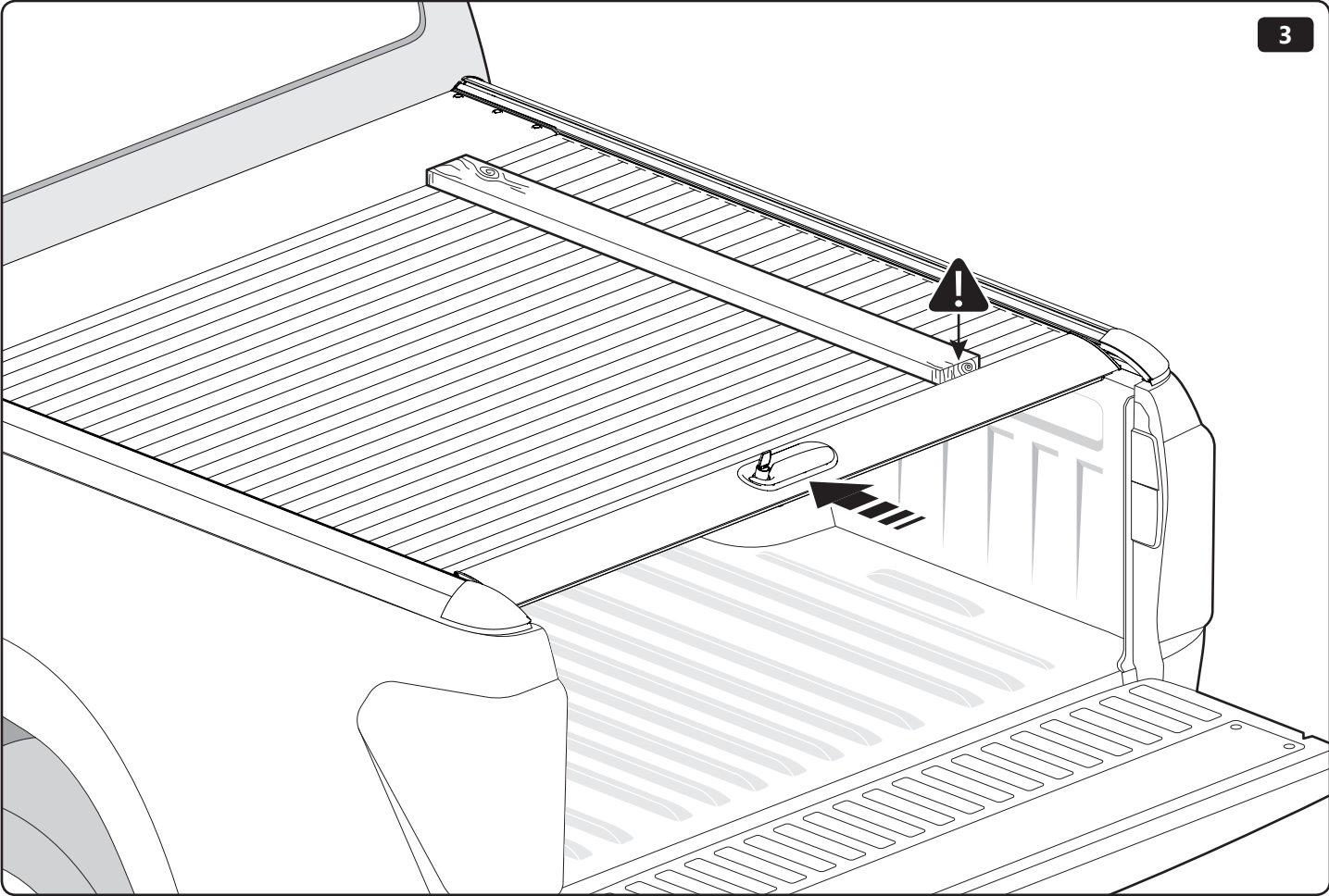


★ T20

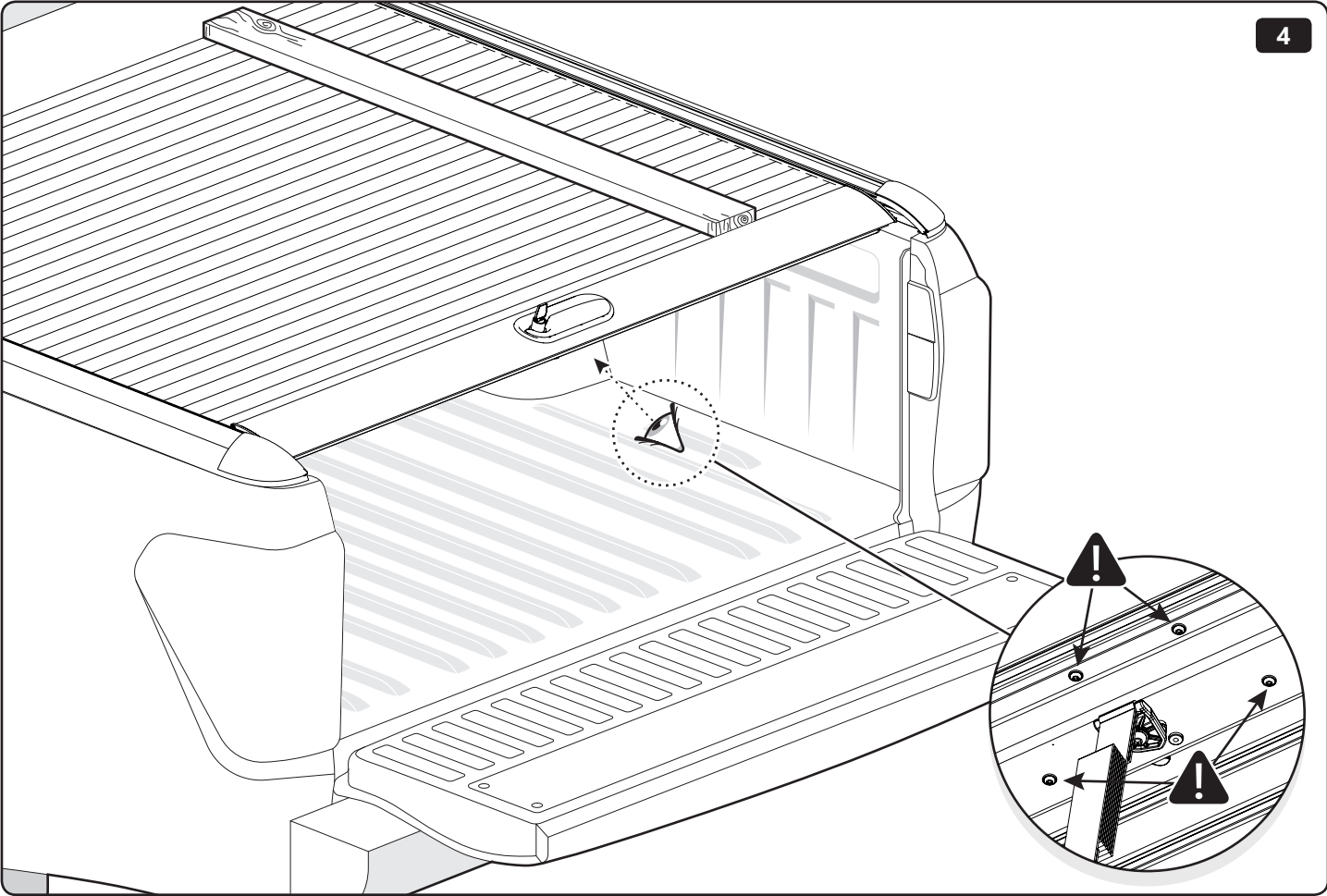




3



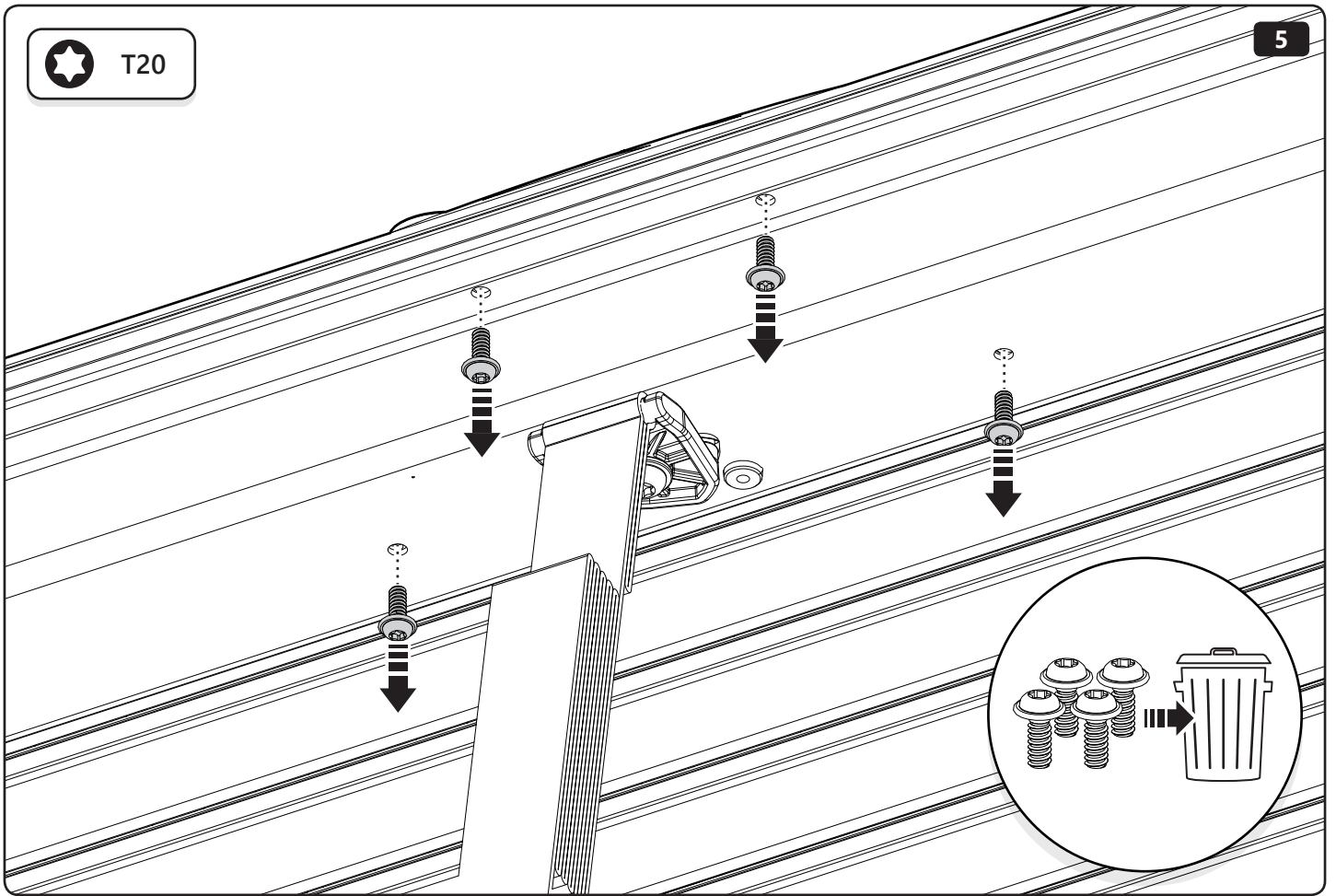
4



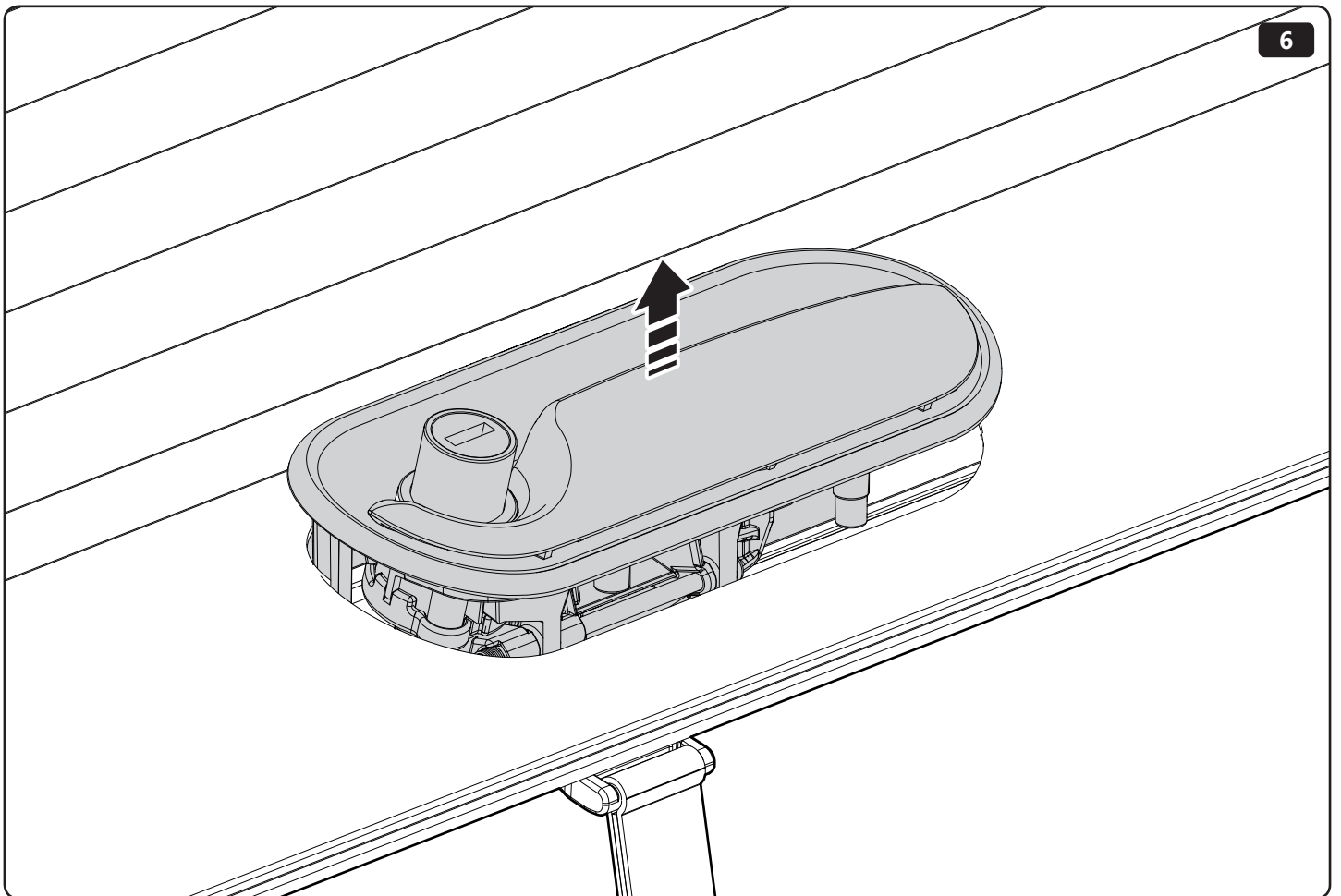


T20

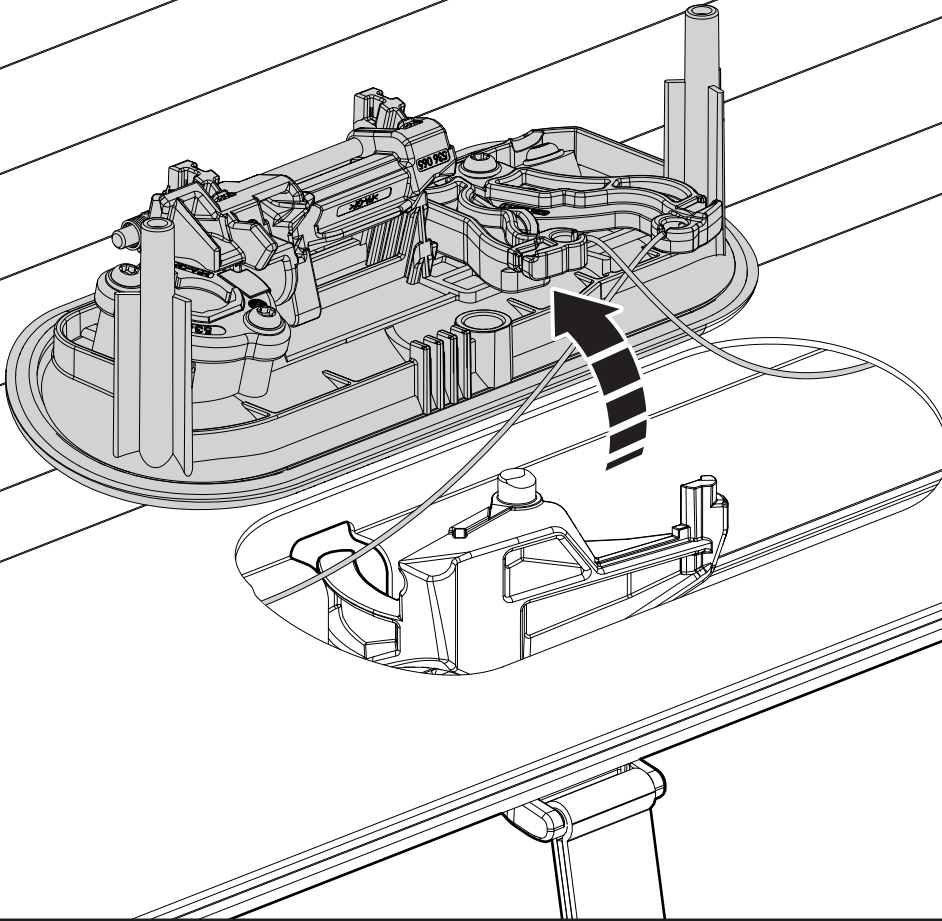
5



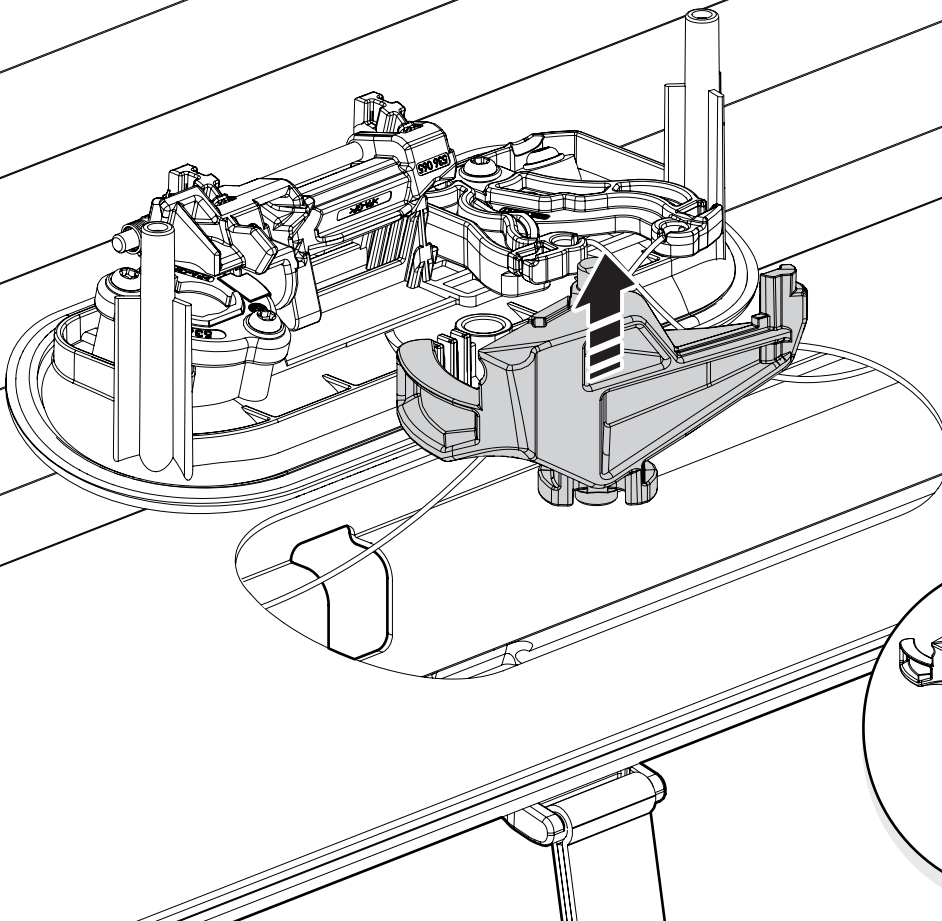
6

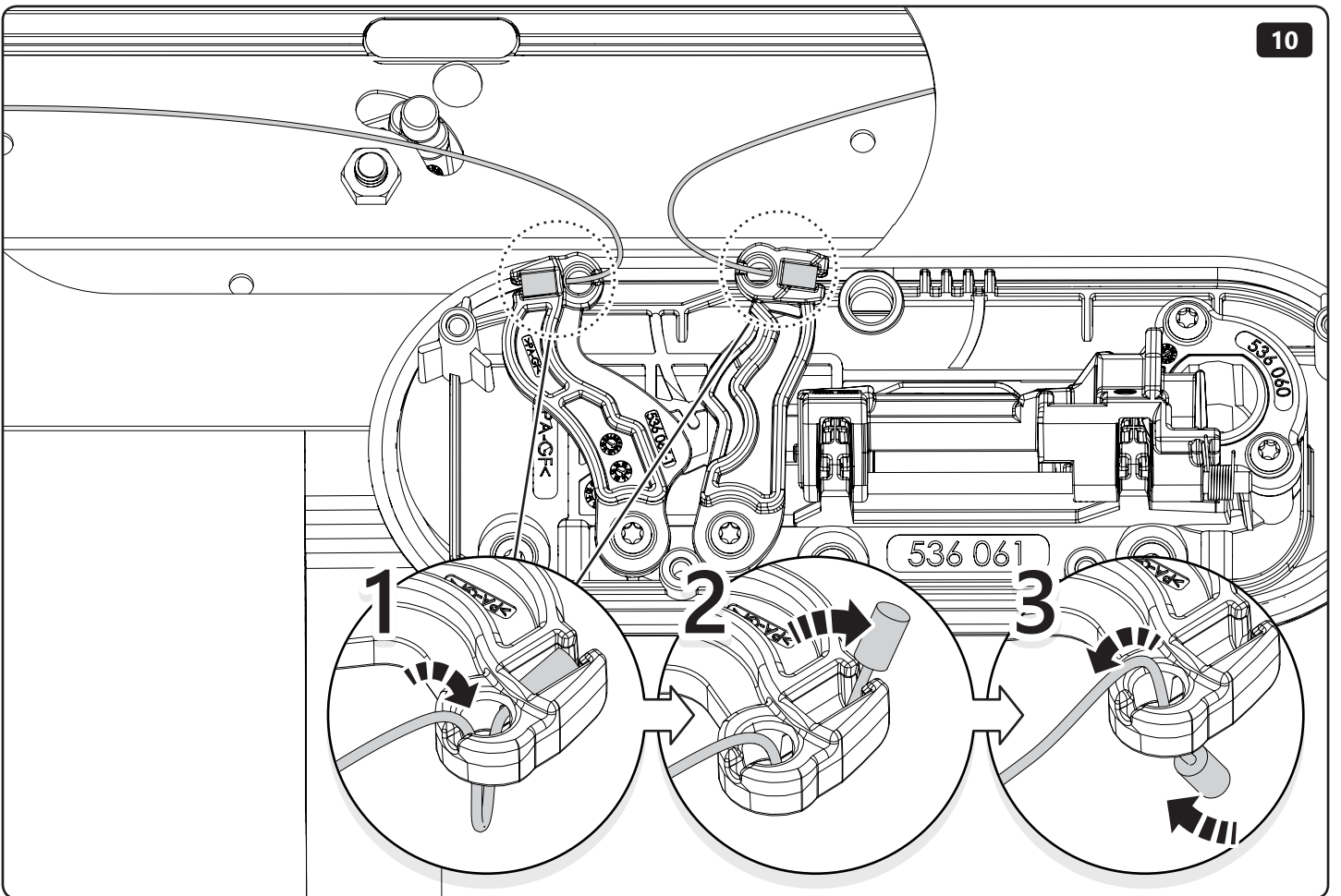
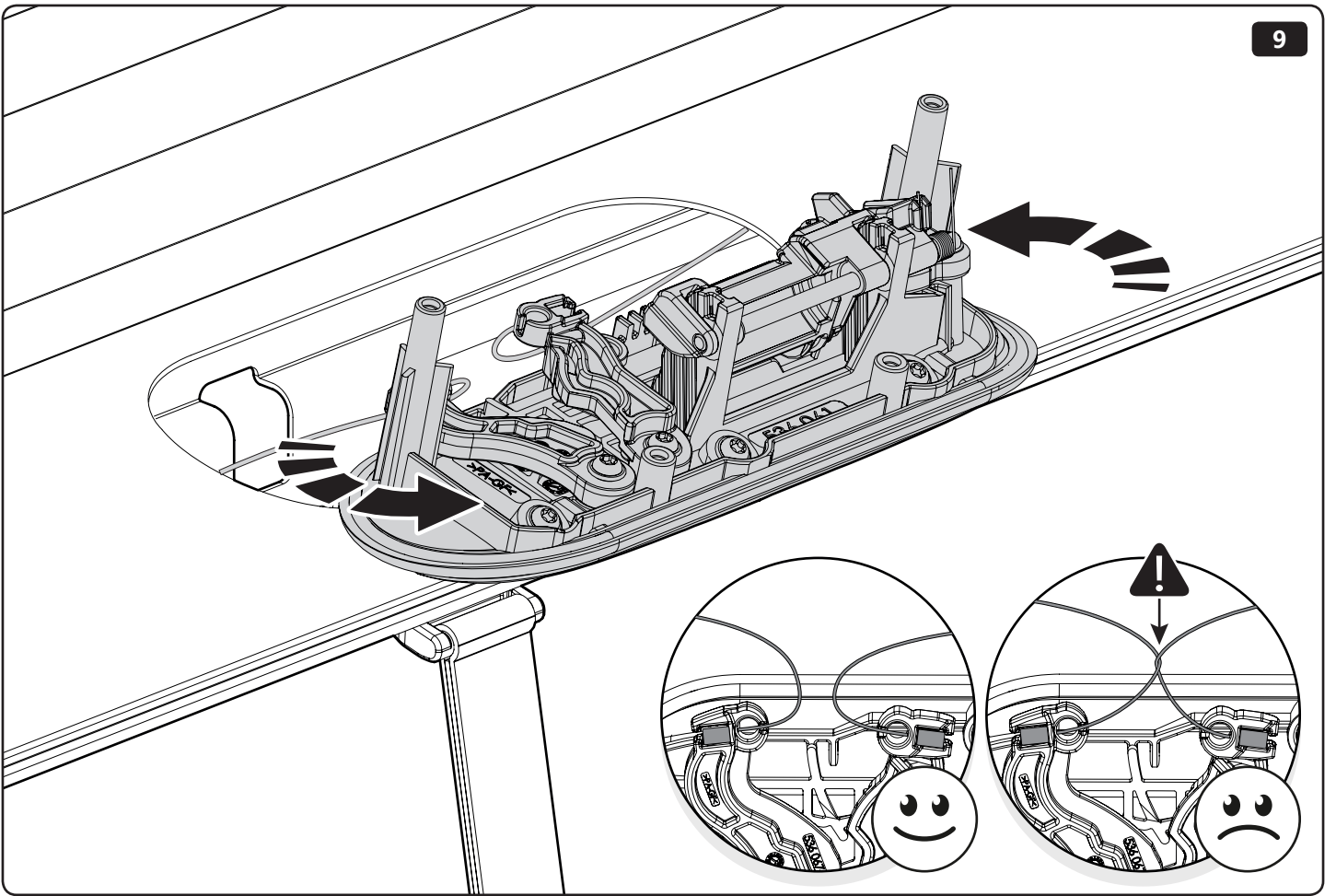


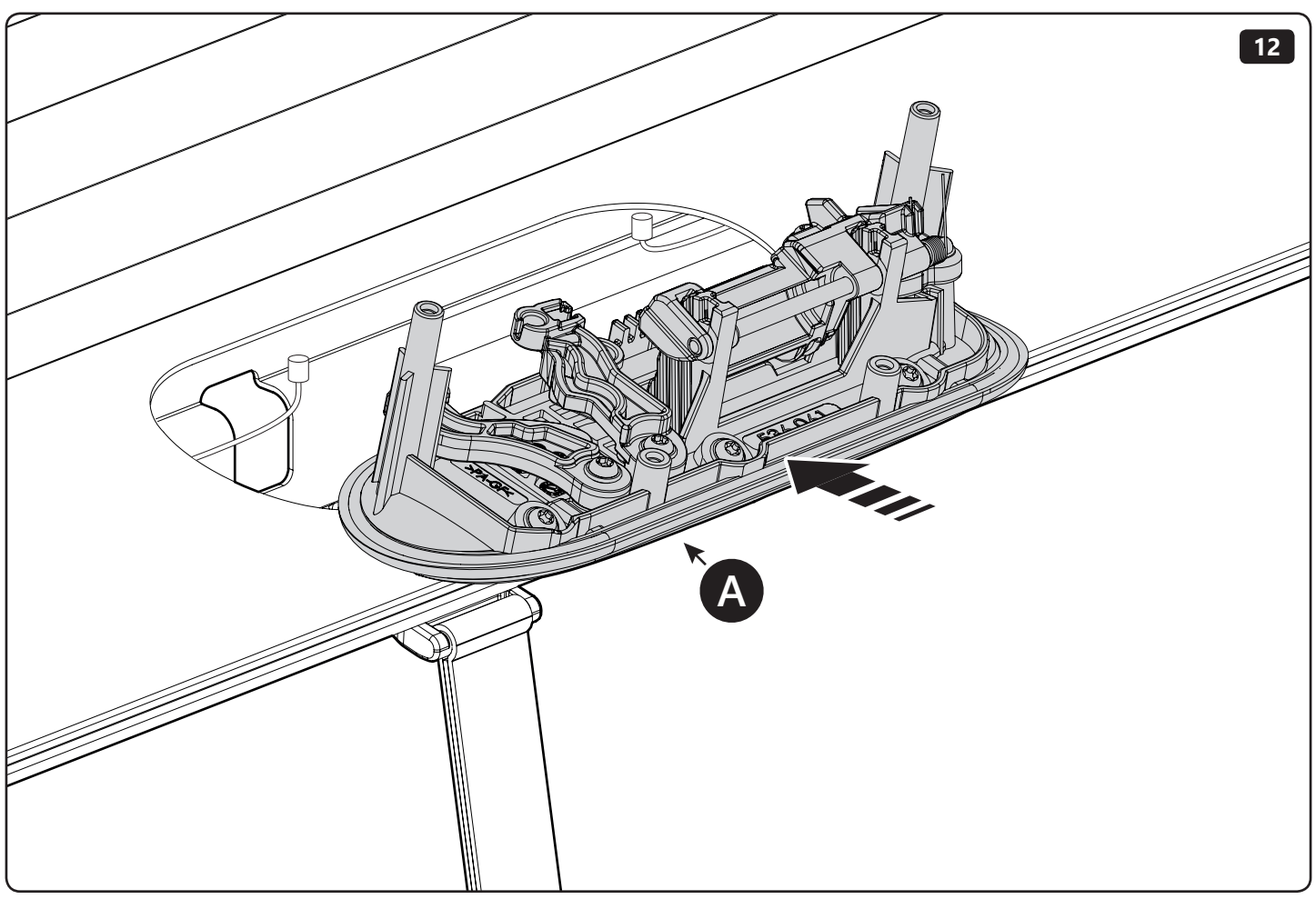
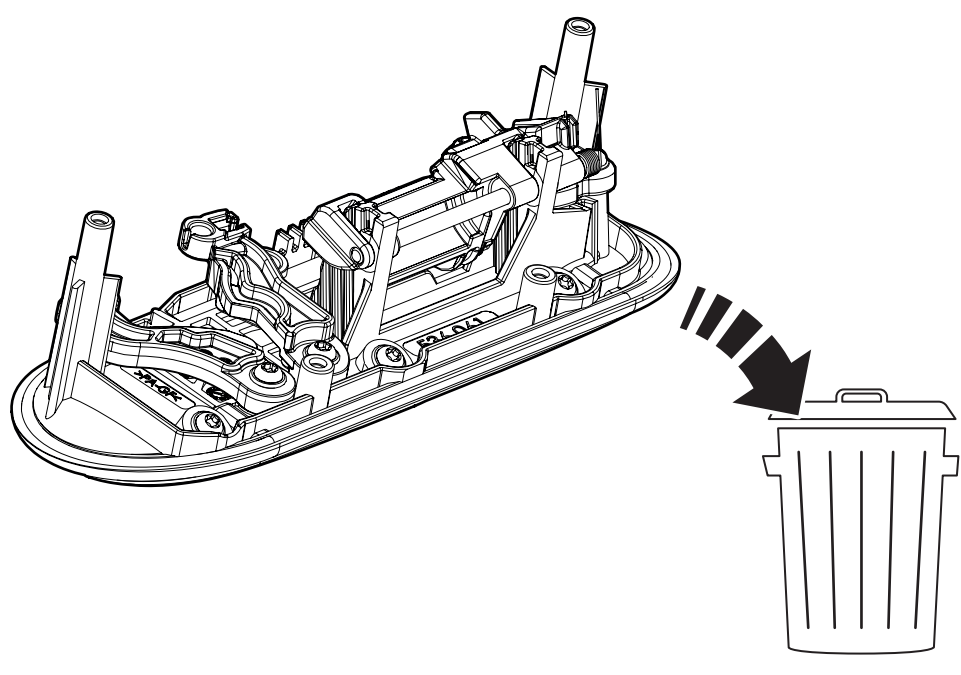
7

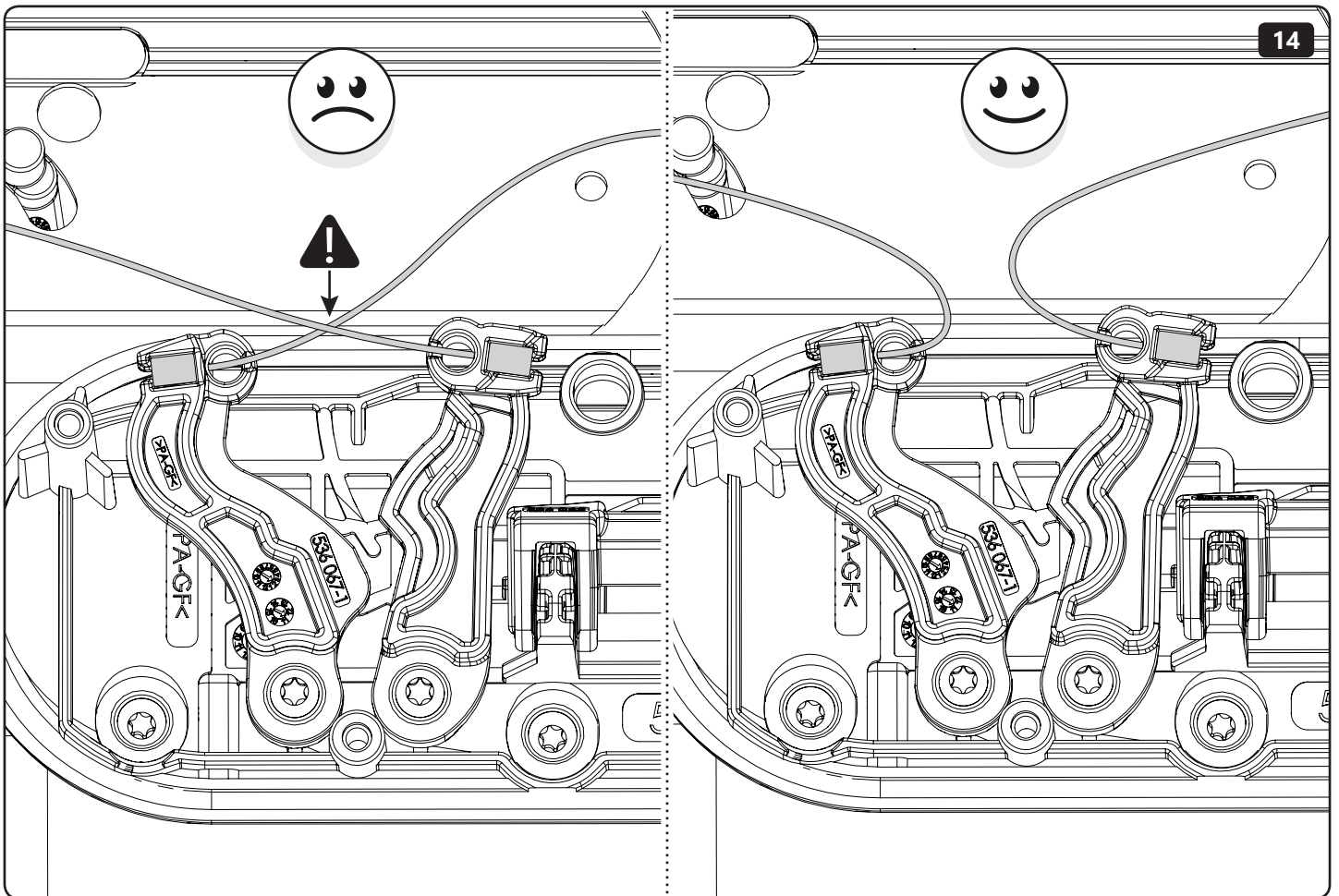
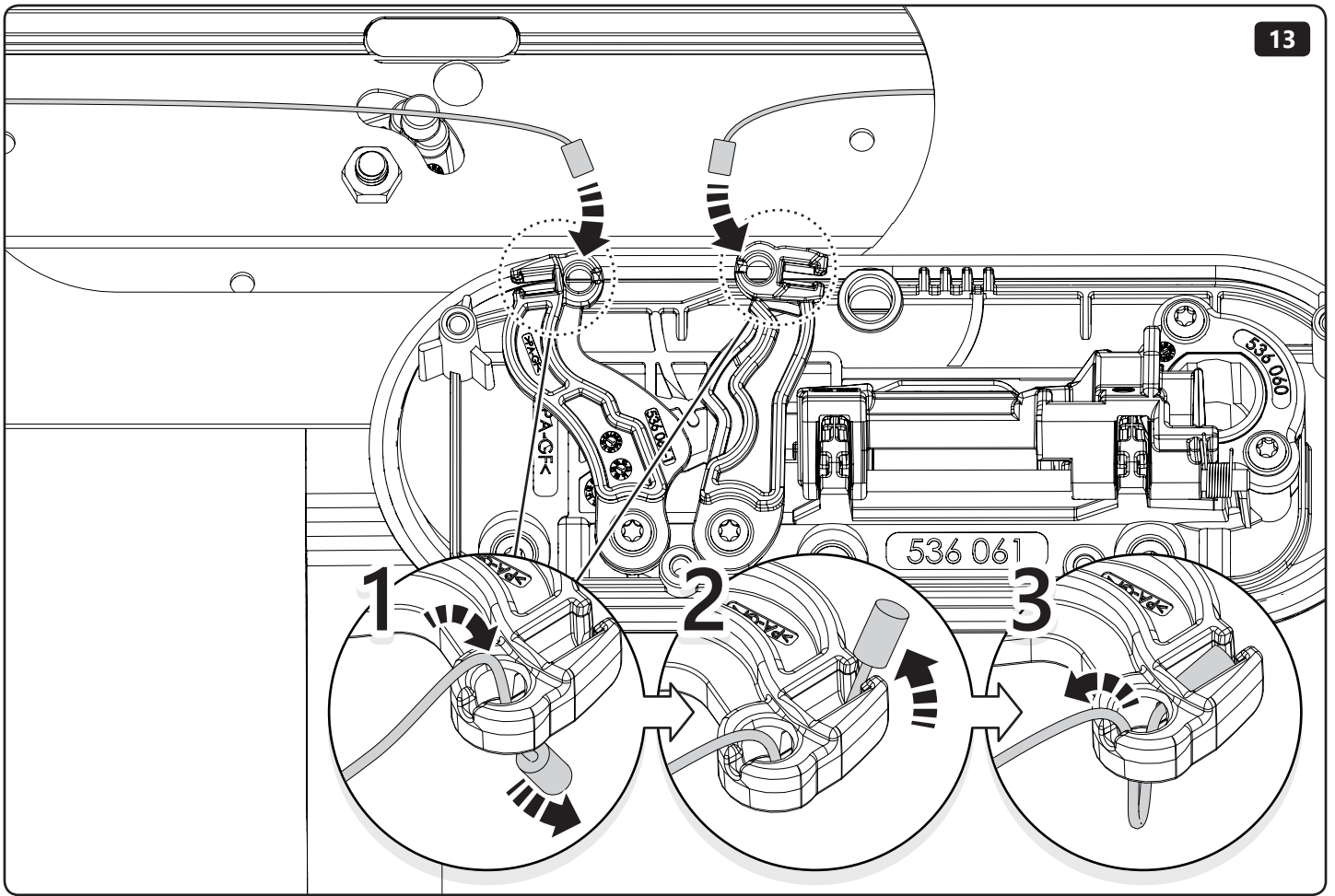


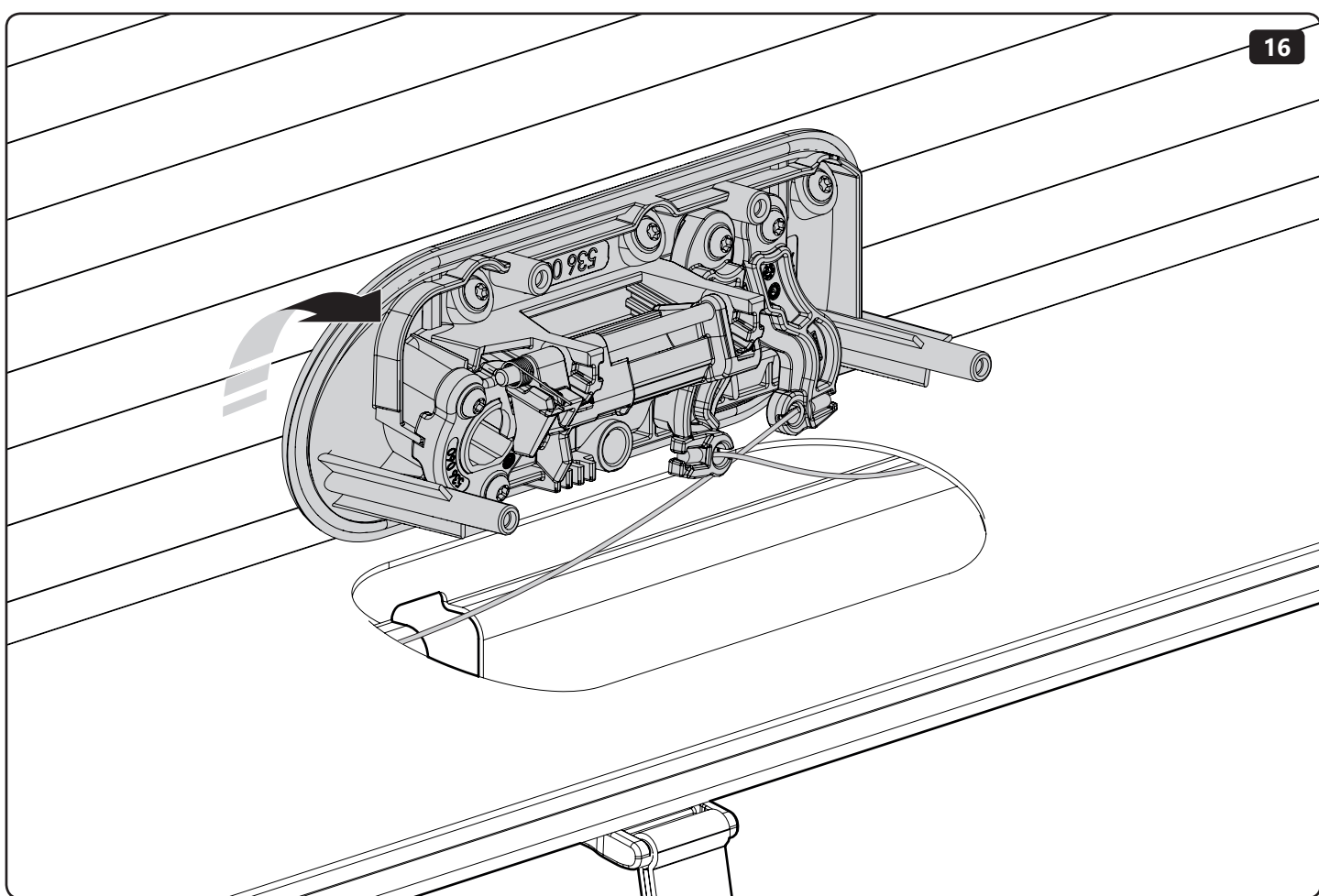
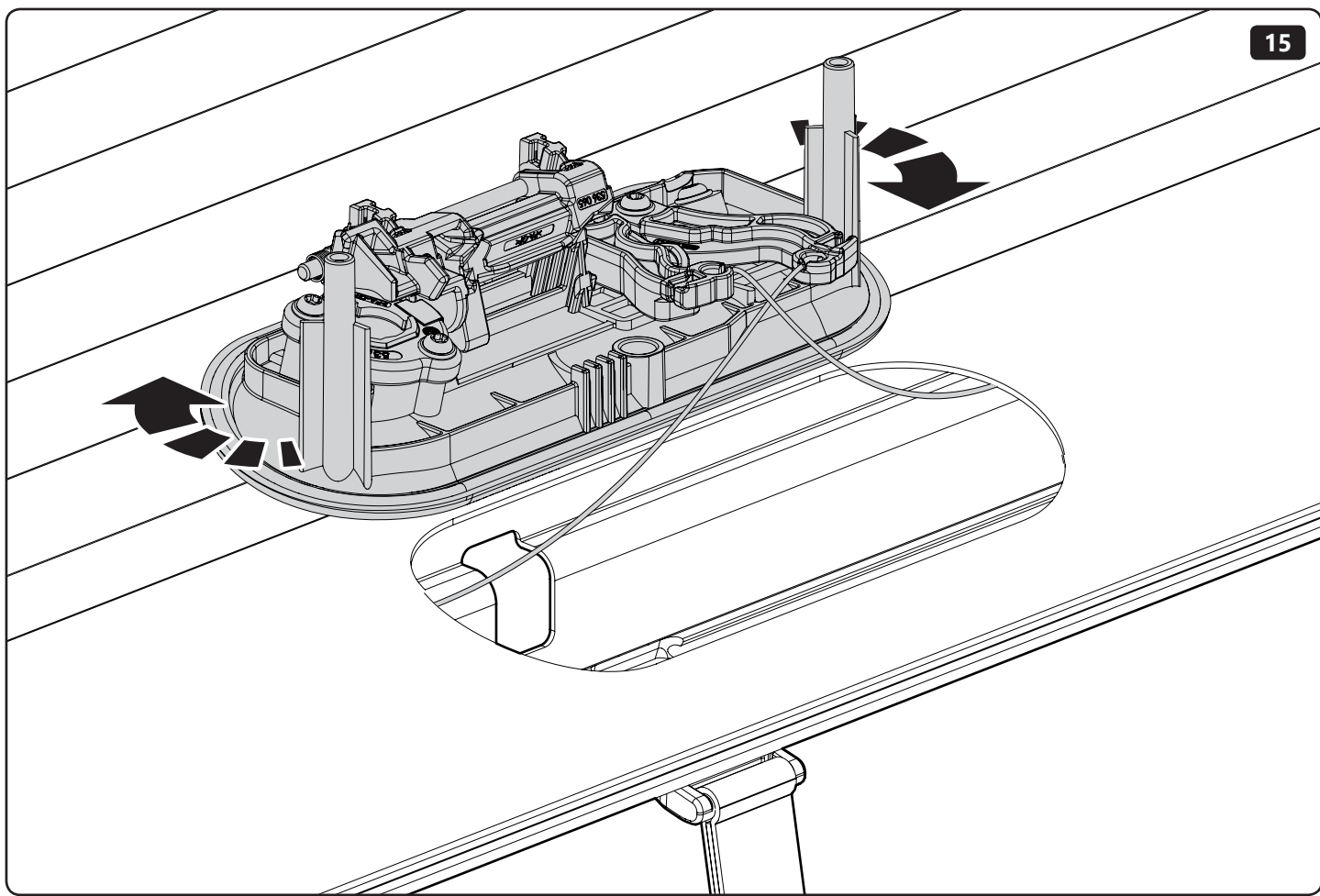
8

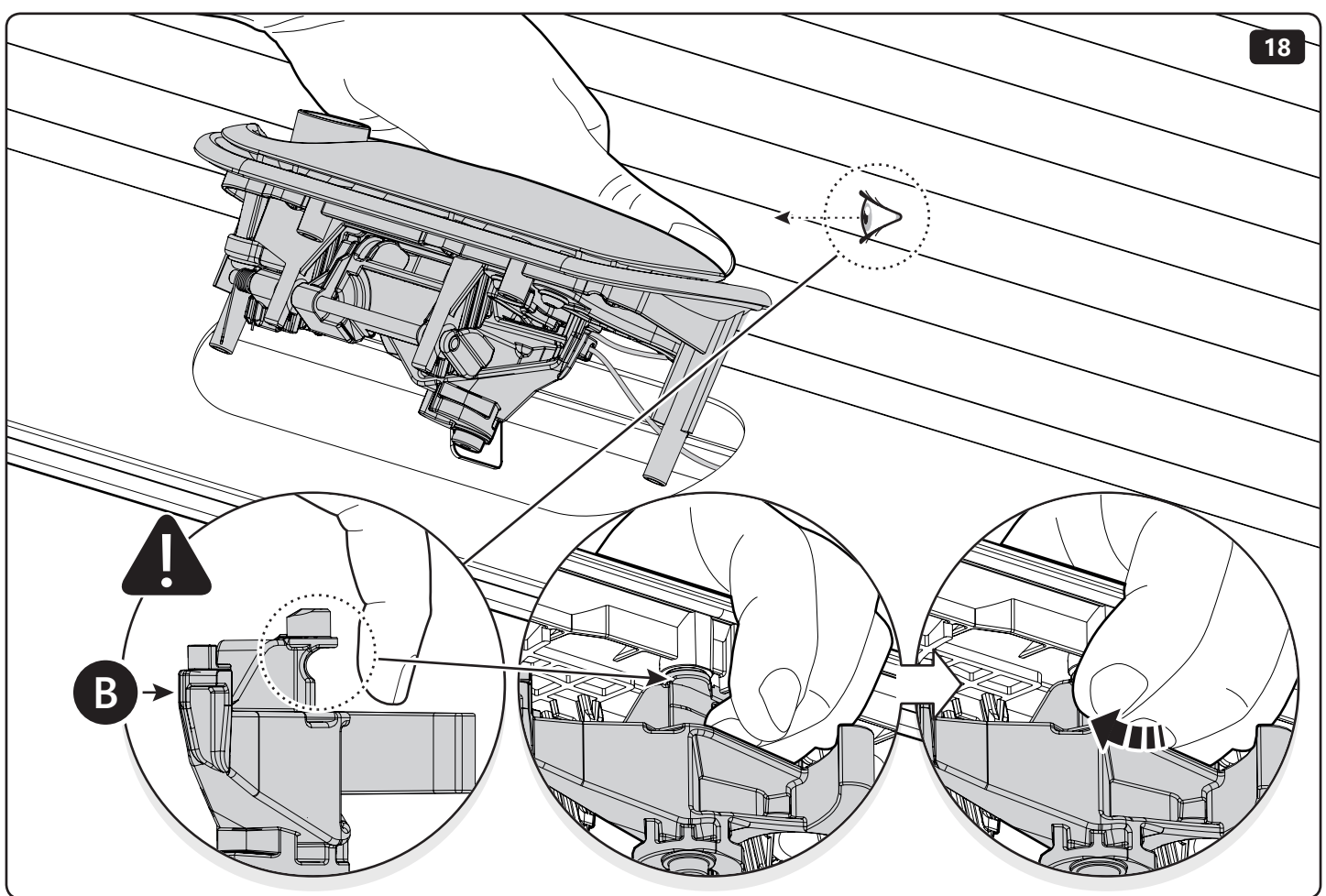
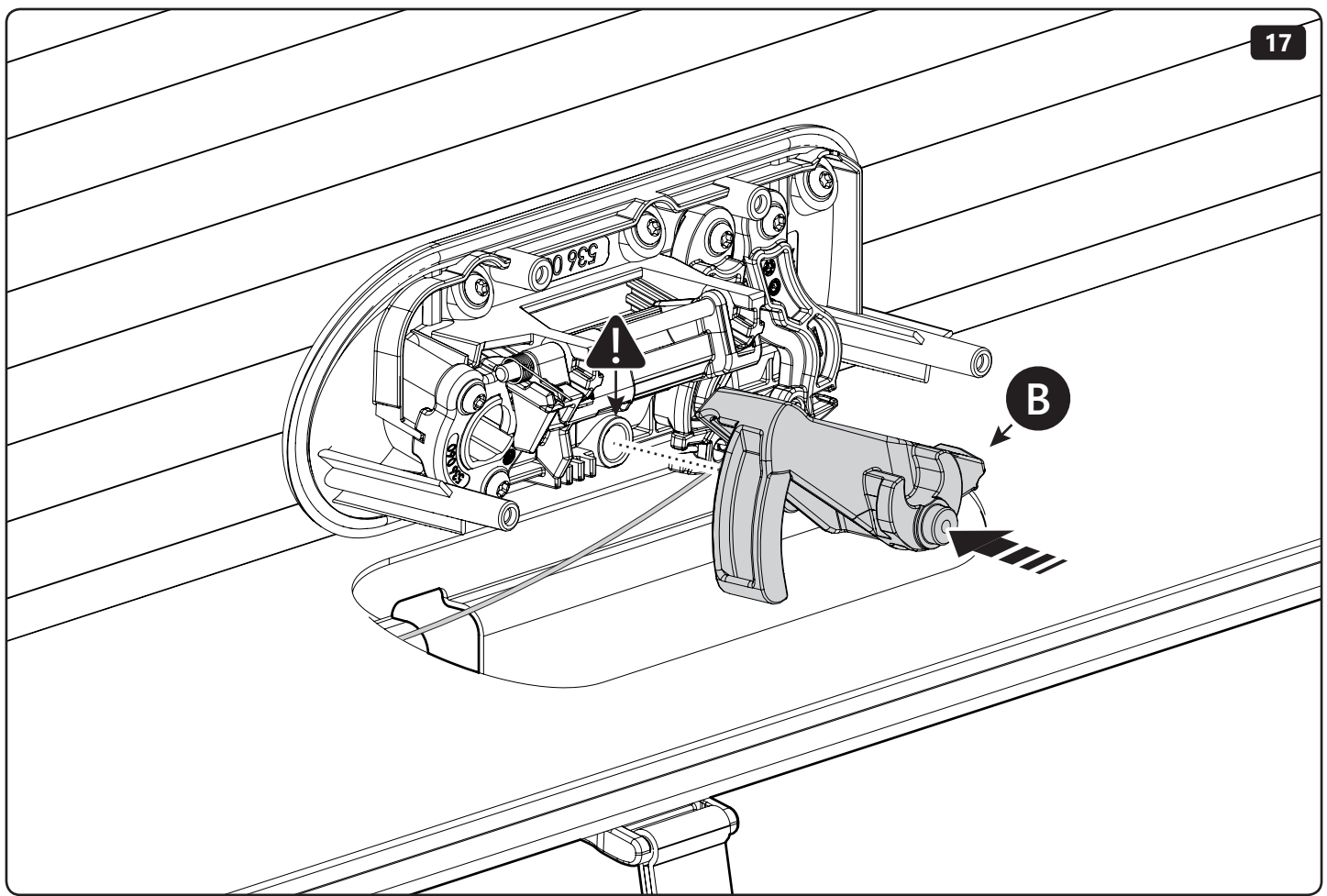


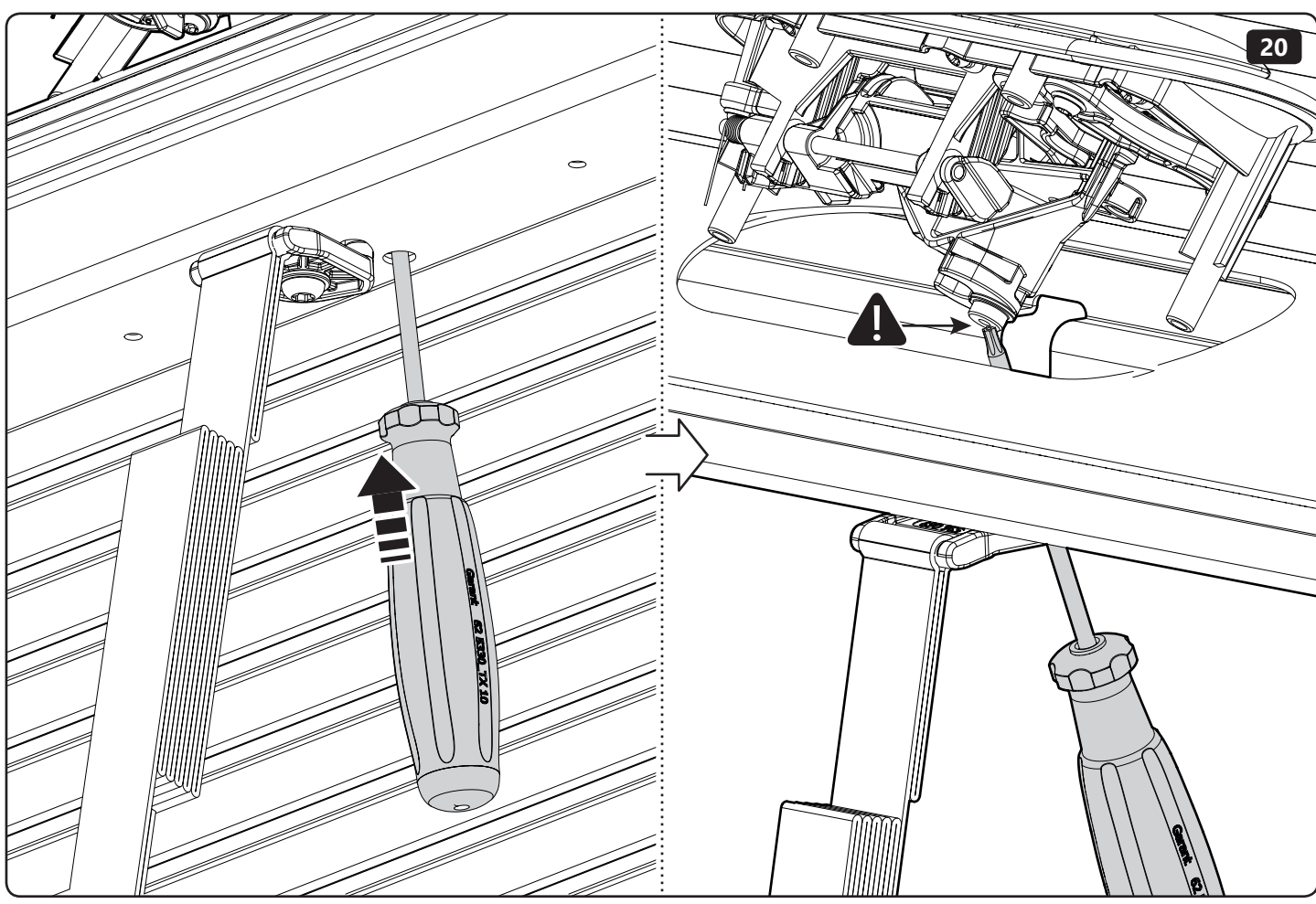
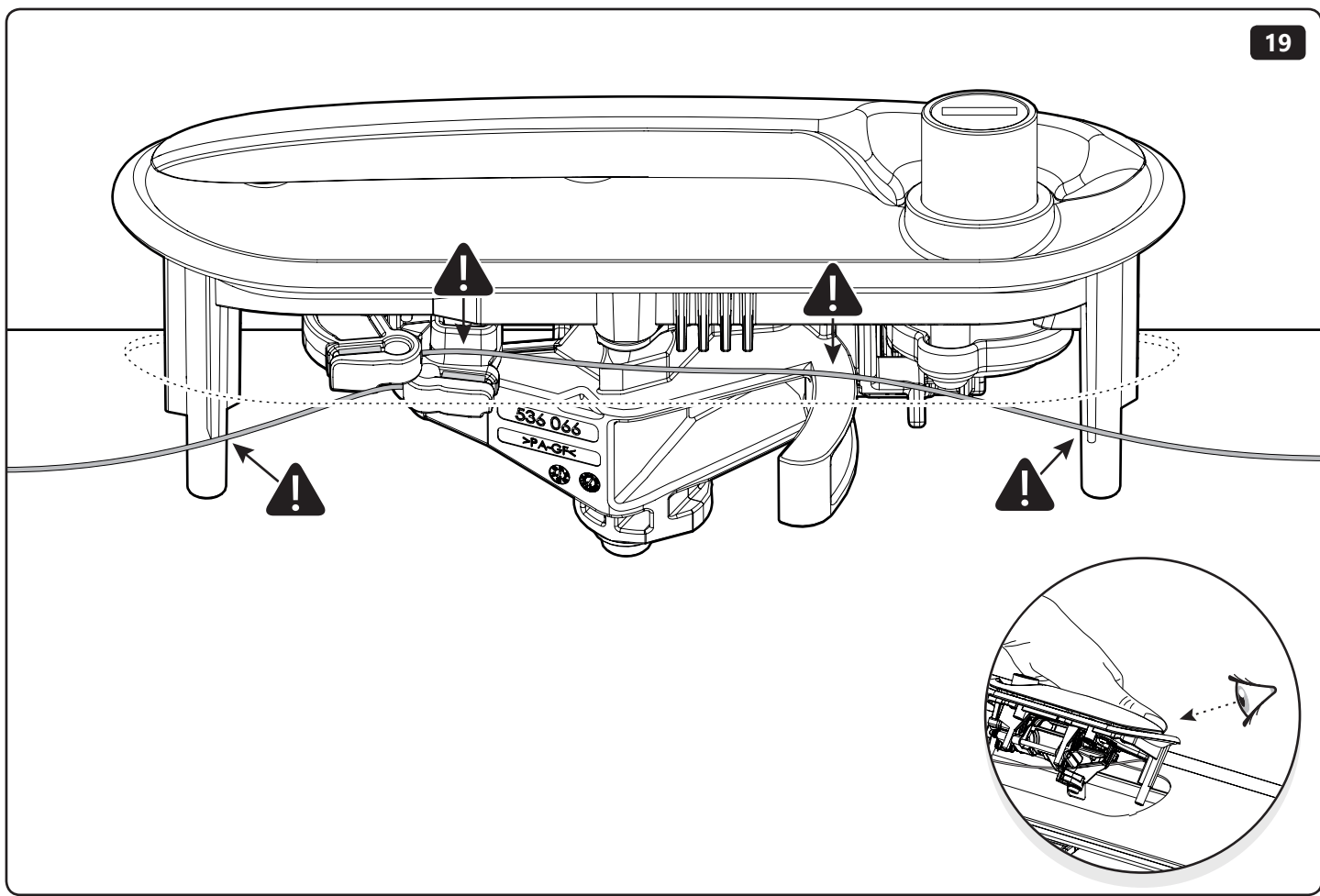


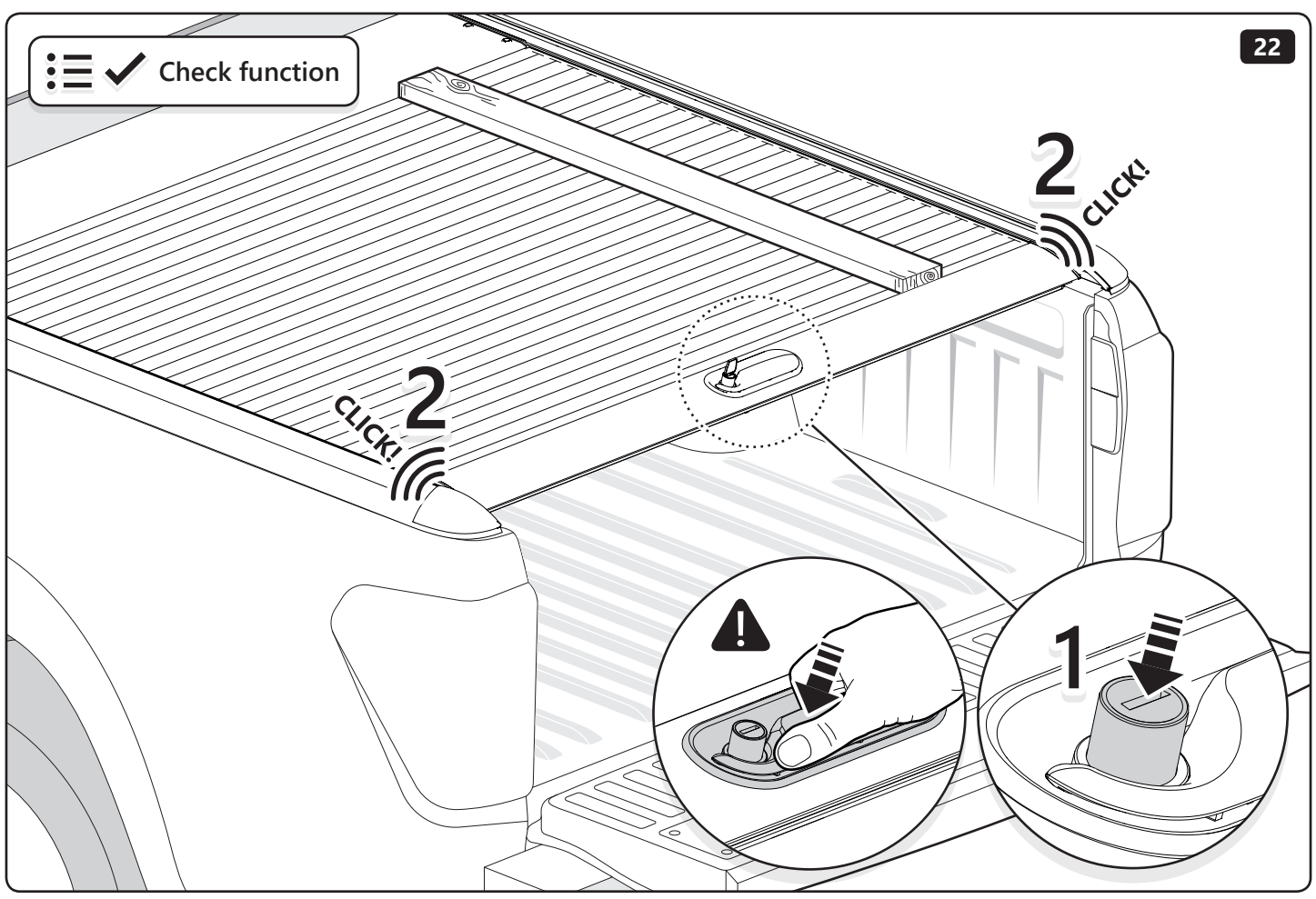
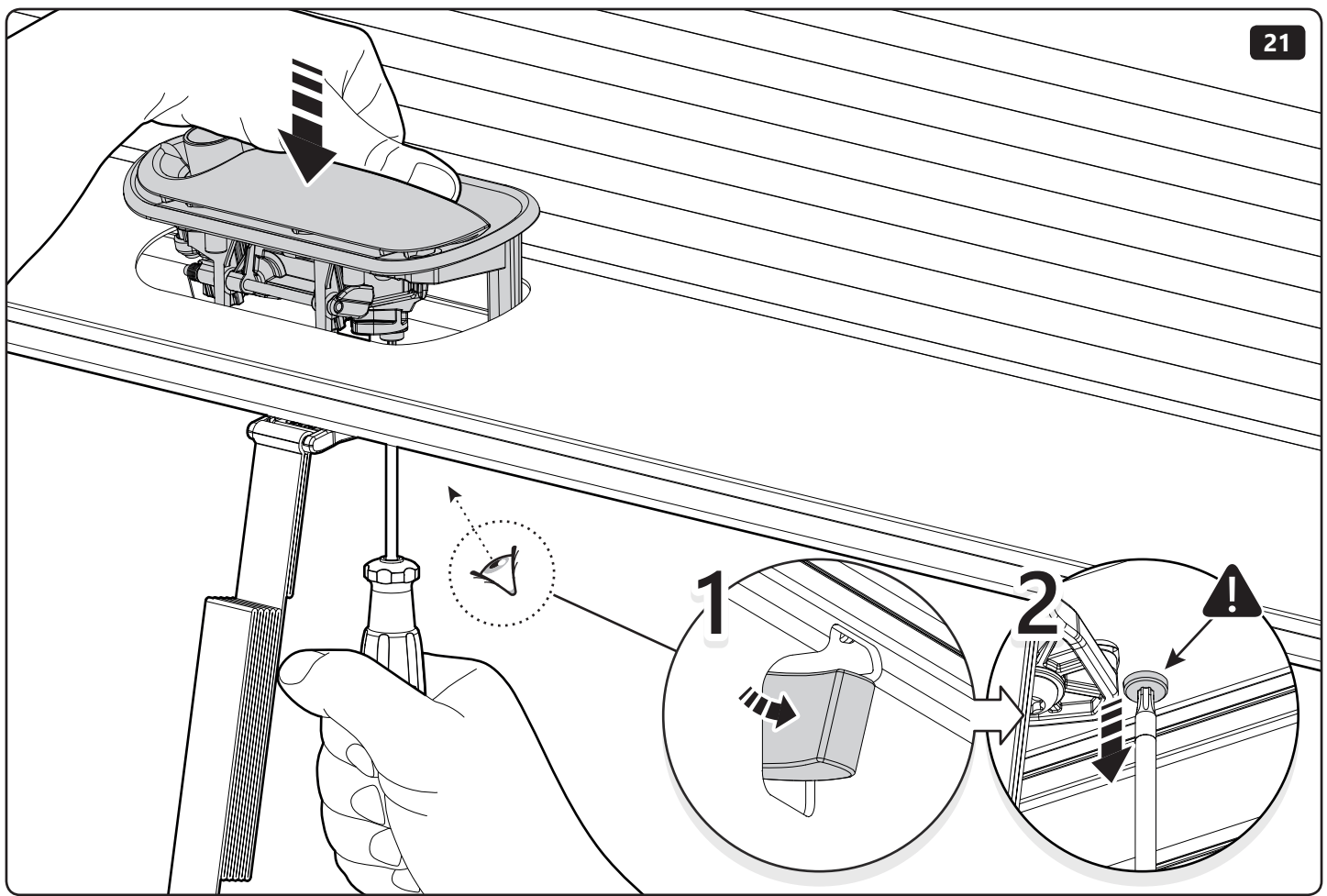




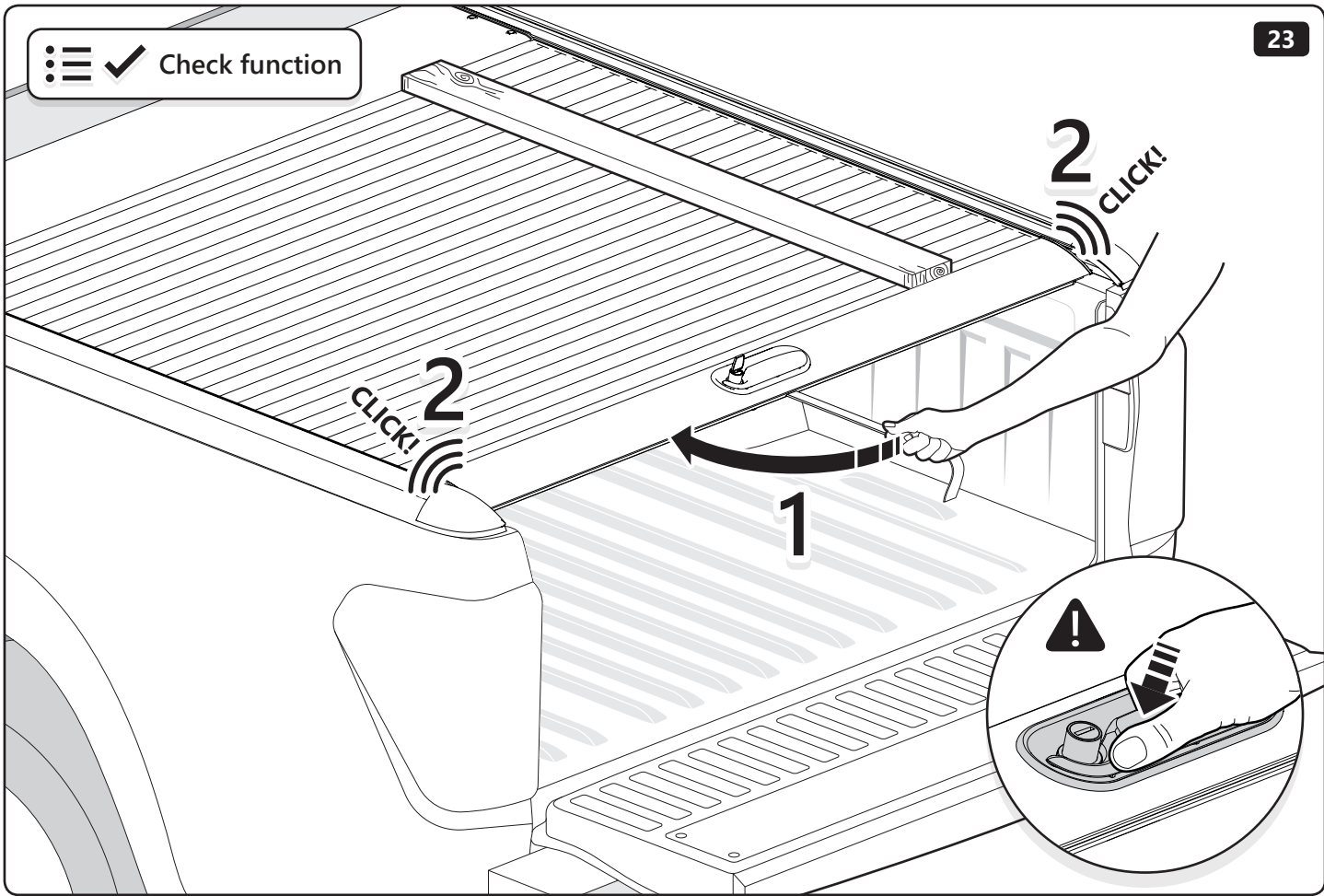




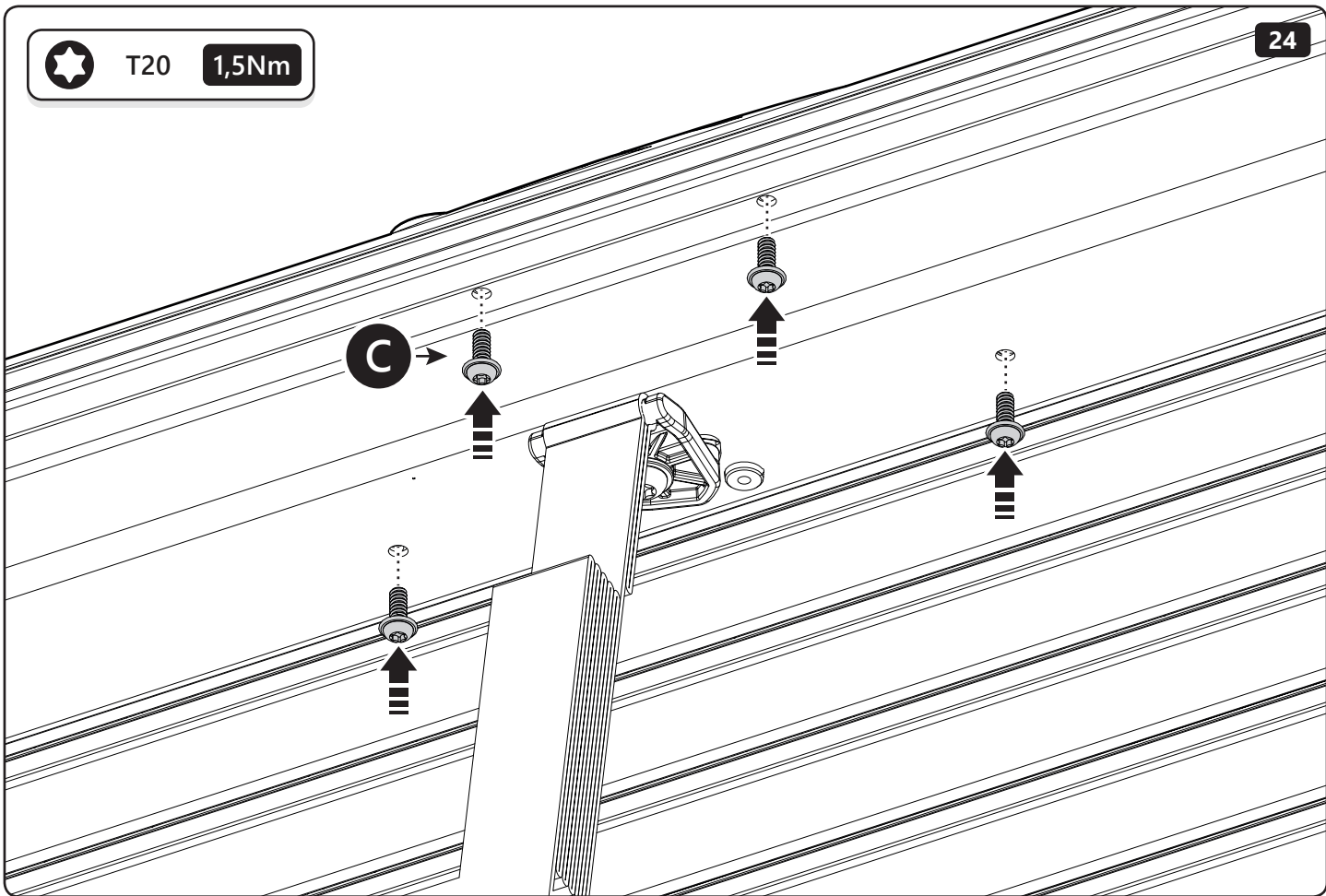


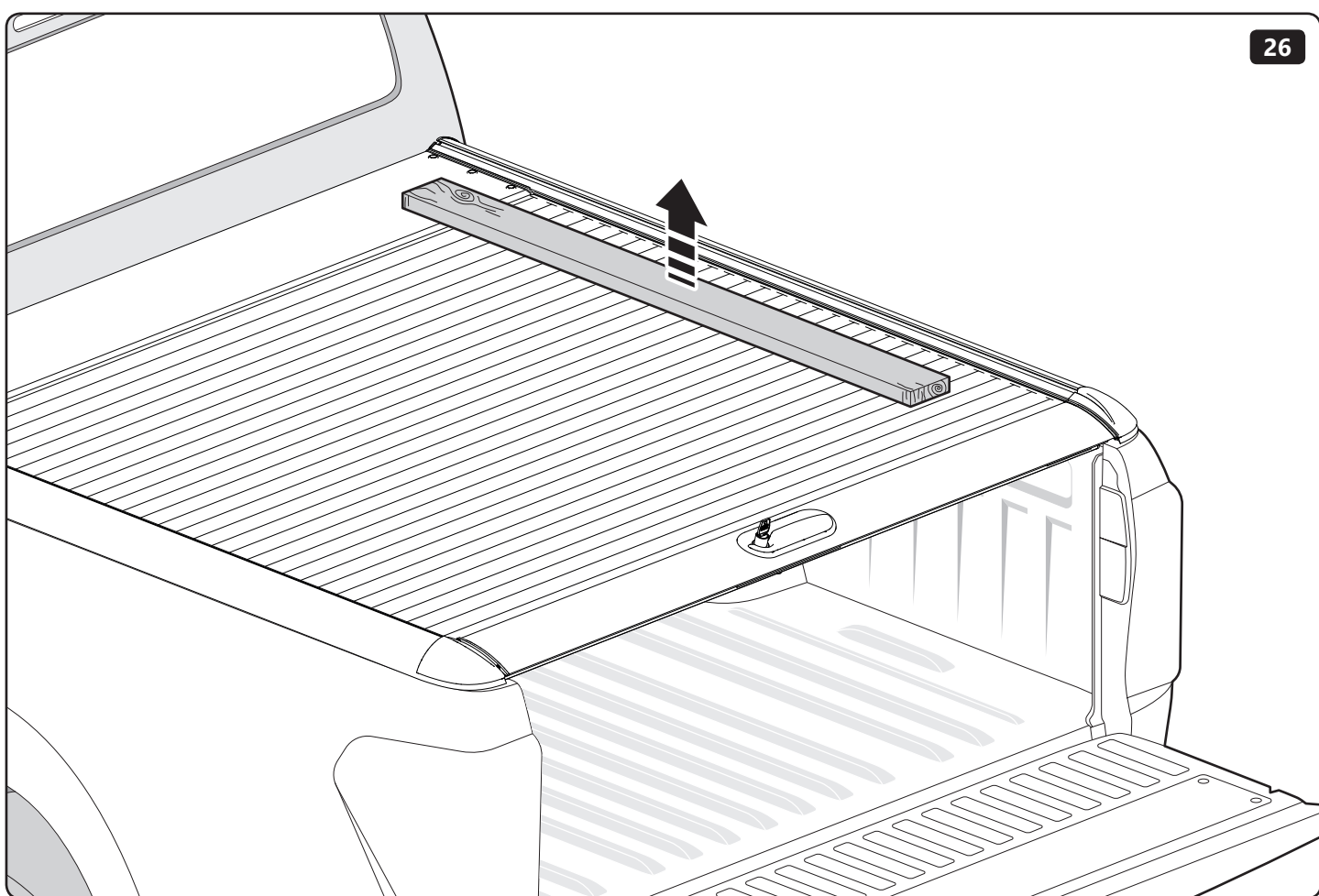
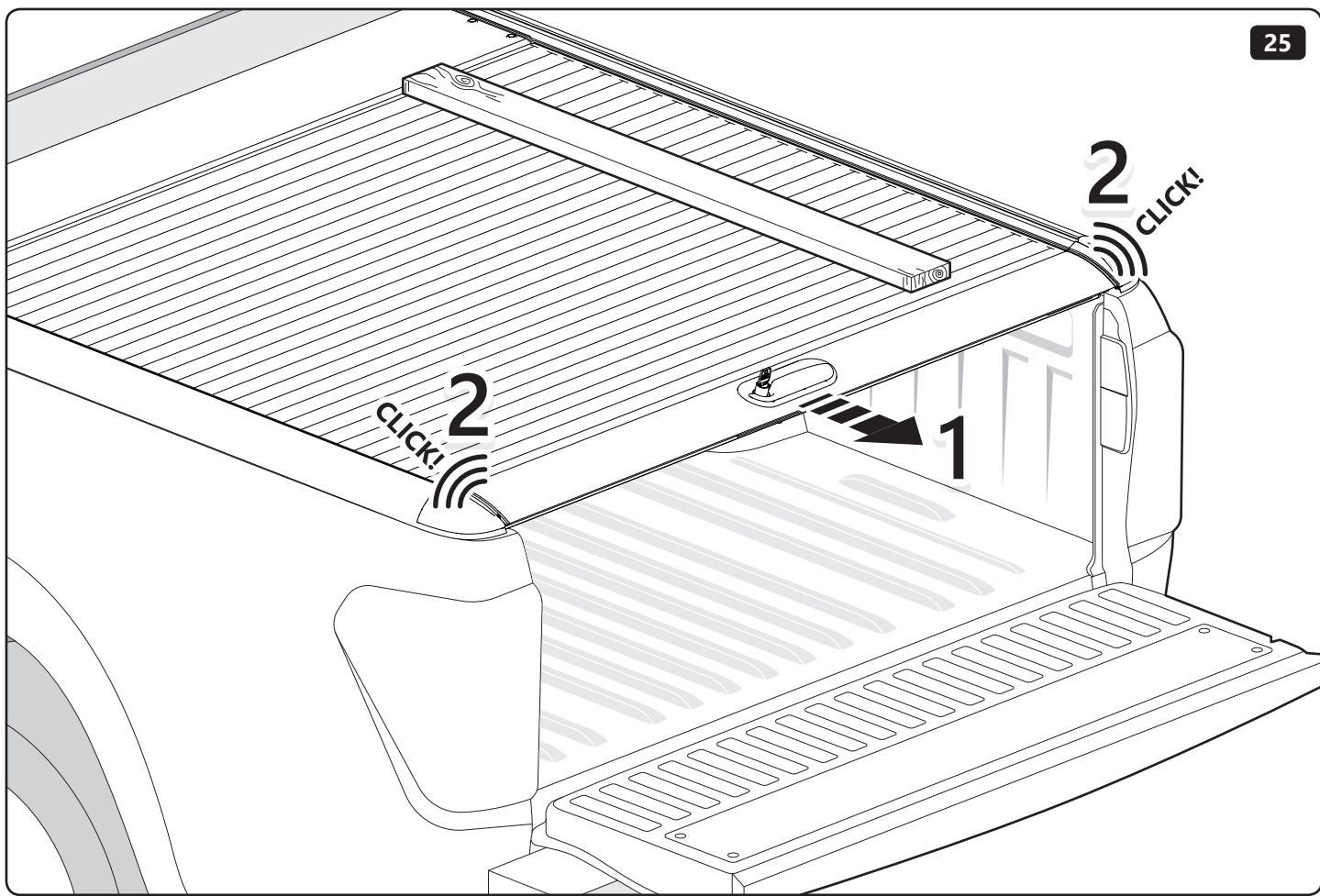


☰ ✓ Check function



★ T20 1,5Nm







Customer Service	+45 4810 2950 (08:00 - 16:00 CET)
Fax	+45 4810 2960
Support	info@mountaintop.dk
Website	www.mountaintop.dk
Address	Pedersholmparken 10, 3600 Frederikssund, Denmark

INSTALLATION TIME

30 minute(s)

GB Installation manual

SF Asennusohje

F Notice de montage

PL Instrukcja montażu

NL Installatie-instructies

TR Montaj Talimatı

S Monteringsanvisning

E Instrucciones de montaje

H Szerelési utasítás

P Instruções de instalação

RUS Инструкция по установке

N Monteringsvejledning

D Einbauanleitung

CZ Návod k instalaci

I Istruzioni de montaggio

GR Οδηγίες Εγκατάστασης

DK Monteringsvejledning

RO Instructiuni de instalare